

# TF2

## Digital timer

- Simple function, convenient setting
- Select 0.1~99.9sec / 1~999sec by using the front deep switch
- Yield the output of relay and transistor synchronously
- Free voltage (100 – 240 V AC 50 – 60 Hz)
- Plug in type which makes it good for repairing and inspecting.



C  
Counter /  
Timer

### Suffix code

Model	Code	Description
TF2-	3 A N	Digital timer 48(W) X 96(H) mm
Displayable digits	3	Display 3 digits (999)
Power supply voltage	A	100 – 240 V AC 50 – 60 Hz
Power backup memory function	N	None

### Specification

#### Input

Reset	Power reset (500 ms min), external reset and manual reset (20 ms min)
Inhibit input	Stop measuring the time due to the external signal (20 ms min)
Noise immunity	Square wave noise due to the noise simulator, $\pm 2$ kV (between the operational power terminal), $\pm 500$ V (between the input terminal)

#### Function

Repetition accuracy	$\pm 0.01$ % of the set value, less than $\pm 0.05$ s (Case of POWER START)
	$\pm 0.005$ % of the set value, less than $\pm 0.003$ s (Case of RESET START)
Insulation resistance	100 M $\Omega$ min(500 V DC) electric conduction terminal – non recharging metal
Dielectric strength	2000 V AC 50/60 Hz 1 minute (within different recharging part from each other) terminal – non recharging metal

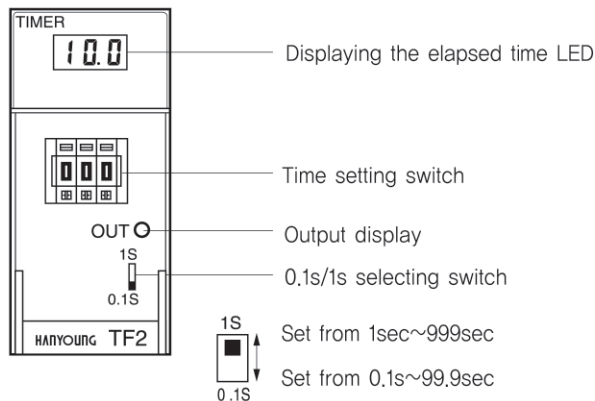
Function and output

Operation type	Up (10 decimal system)	
Output action	ON-Delay operation ※ please refer to the output action mode	
Time setting recognition	Recognize at all times (possible to change the setting in the middle of applying electric current)	
Alphabet display	height 11 mm, width 8.0 mm	
Time range	0.1 ~ 99.9 sec / 1 ~ 999 sec (selection done by using the front deep switch)	
Control output	Relay	Instant : 1 c, 250 V AC 3 A (resistive load)
	Transistor	Instant : open collector, 30 V DC 100 mA max.

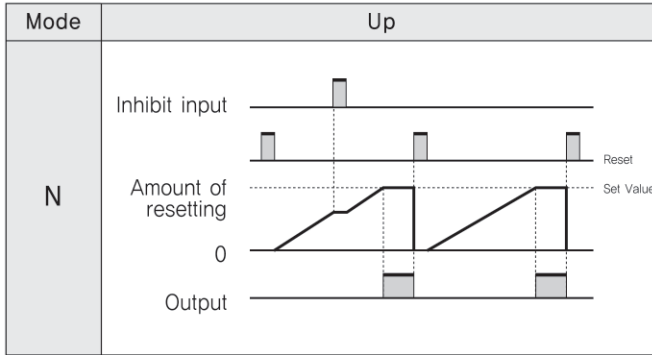
Standard specification

Power supply voltage	100 – 240 V AC 50 – 60 Hz
Voltage fluctuation	±10 % of the power supply voltage
Power consumption	Approx. 5 VA (220 V AC 60 Hz)
Ambient temperature	-10 ~ 50 °C
Ambient humidity	35 ~ 85 % RH
Storage temperature	-20 ~ 65 °C
Vibration resistance	10 – 55 Hz, double amplitude 0.75 mm, for 2 hour each in 3 axis direction
Shock resistance	300 %, 3 times each in 3 axes direction
Weight	Approx. 380 g

Name of each part



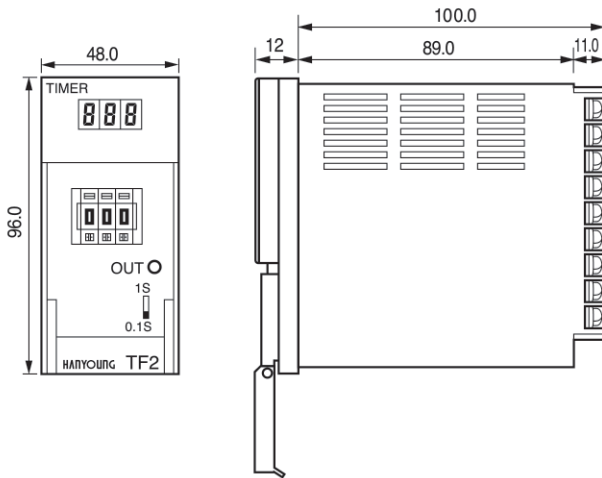
■ Output action mode



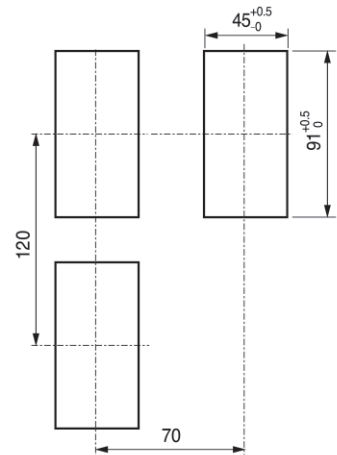
C  
Counter /  
Timer

●● Dimension and panel cutout (unit : mm)

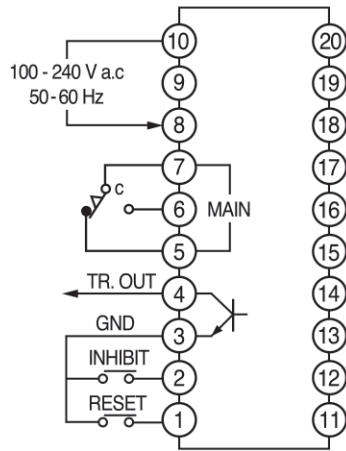
● Dimension



● Panel cutout



●● Connection diagram



C

Counter /  
Timer