

T series

Turn light

- Ø84 rotating continuous light, rotating continuous light and buzzer
- Incandescent lamp indicator (socket type)
- Various supporter mounting type (TR type, TX type)
- Economical price, simple installation structure
- Protective cap with solid poly-carbonate material
- Rotational structure with the excellent abrasion resistive acetal gear
- Degree of protection IP 54



●● Suffix code

Model	Code	Description
Dimension and function	<input type="checkbox"/> - <input type="checkbox"/> <input type="checkbox"/>	Turn light (Ø 84)
	TR	Round type cap supporter attaching installation
	TX	Rectangular type cap supporter attaching installation
	TF	Rectangular type cap direct installation
	TP	Round type cap direct installation
	TFB	Rectangular type cap direct installation
Power supply voltage	12	12 V d.c
	24	24 V d.c
	012	110/220 V a.c, 50 / 60 Hz
Cap color	R	Red
	Y	Yellow
	G	Green
	B	Blue

Control switch
Combination display light

Power switch
Main switch
Cam switch

Limit switch
Micro switch

Hoist switch
Foot switch
Mono lever switch

Sign tower
Signal light

Buzzer
Terminal block
Fuse holder


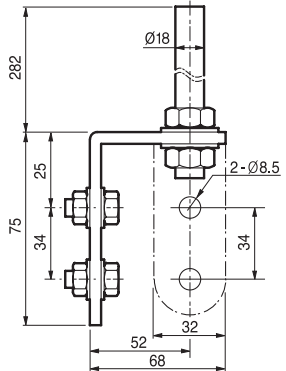
Control box
Cable connector

Discontinued Products


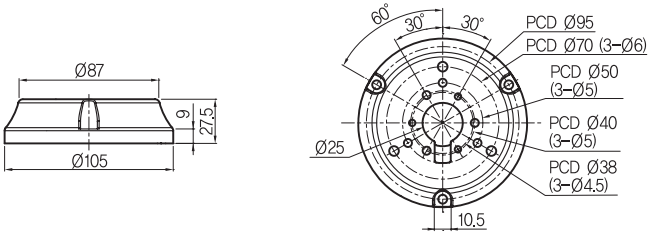
●○ Specification

Model	TR-□□	TX-□□	TF-□□	TP-□□	TFB-□□	TPB-□□
Function	Rotating continuous light				Rotating continuous light, buzzer	
Dimension	Round type cap supporter attachment	Rectangular type cap supporter attachment	Rectangular type cap direct attachment	Round type cap direct attachment	Rectangular type cap direct attachment	Round type cap direct attachment
Power supply voltage	12 V d.c, 24 V d.c, 110/220 V a.c, 50/60 Hz					
Current consumption	0.9 A (When power supply voltage is 12 V d.c), 0.5 A (When power supply voltage is 24 V d.c) 0.1 A (When power supply voltage is 110 V a.c), 0.05 A (When power supply voltage is 220 V a.c)					
Rotating speed	Approx 130 time/min					
Light source	Incandescent lamp (BA 15S)					
Lamp capacity	12 V 5 W (When power supply voltage is 12 V d.c), 24 V 5W (When power supply voltage is 24 V d.c) 12 V 5 W (When power supply voltage is 110/220 V a.c)					
Buzzer volume	-				Approx 80 dB	
Cap material	Polycarbonate (P.C) resin					
Body	ABS resin					
Lens color	Red, Yellow, Green, Blue					
Degree of protection	IP54					


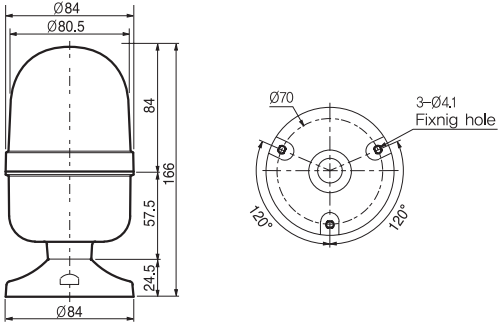

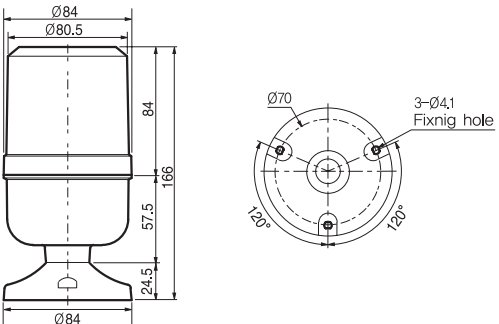

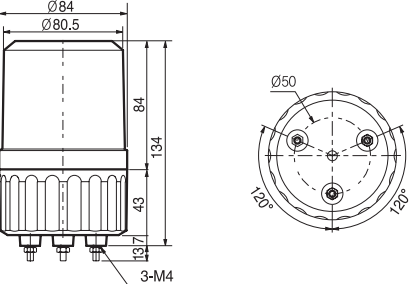
●○ Supporter dimension (unit : mm)

Appearance	Dimension and panel cutout
 <p>SP-2 (Optional)</p>	

T series

Appearance	Dimension and panel cutout
 <p data-bbox="315 615 429 682">STM-105 (Optional)</p>	 <p data-bbox="546 619 1265 682">Various application(5 types) Plastic Supporter, used for the direct mounting type $\varnothing 70(3-\varnothing 6)$, $\varnothing 50(3-\varnothing 5)$, $\varnothing 40(3-\varnothing 5)$, $\varnothing 38(3-\varnothing 4.5)$, $\varnothing 25$(middle fixing hole)</p>

Dimension and panel cutout (unit : mm)

Model	Appearance	Dimension and panel cutout
TR-□□		
TX-□□		
TF-□□ TFB-□□		

Control switch
Combination display light

Power switch
Main switch
Cam switch

Limit switch
Micro switch


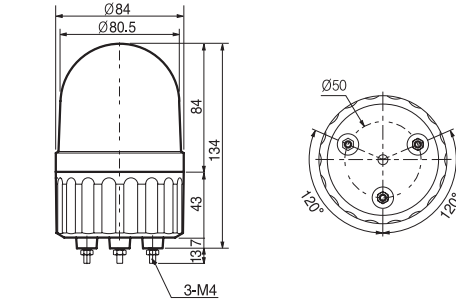

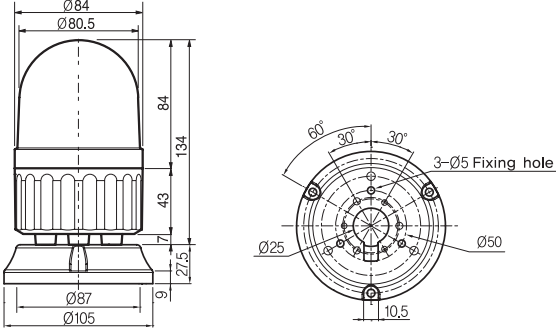
Hoist switch
Foot switch
Mono lever switch

Signal tower
Signal light

Buzzer
Terminal block
Fuse holder

Control box
Cable connector

Discontinued Products

Model	Appearance	Dimension and panel cutout
TP-□□ TPB-□□		
Supporter : STM-105 (Optional)		

●● Connection diagram

Connection diagram for each power supply voltage are as follows. Also, buzzer (buzzer built in type) is connected to the power line.

Power supply voltage	Wire folder
12 V d.c	White (+), Black (-)
24 V d.c	
110/220 V a.c, 50/60 Hz	Black-White (when using at a.c 110v)
	Black-Red (when using at a.c 220v)