

Sign Tower

HY-TN series

INSTRUCTION MANUAL

Thank you for purchasing HANYOUNG product.
Please check whether the product is the exactly same as you ordered.
Before using the product, please read this instruction manual carefully.
Please keep this manual where you can view at any time

HEAD OFFICE

HANYOUNGNEX CO.,LTD

1381-3, Juan-Dong, Nam-Gu Incheon, Korea.
TEL: (82-32)876-4697
FAX: (82-32)876-4696
http://www.hynux.net

INDONESIA
FACTORY

PT. HANYOUNG ELECTRONIC INDONESIA

JL.CEMPAKA BLOK F 16 NO.02 DELTA SILICON II
INDUSTRIAL PARK
LIPPO CIKARANG CICAU, CIKARANG PUSAT BEKASI
17550 INDONESIA
TEL : 62-21-8911-8120~4 FAX : 62-21-8911-8126

HANYOUNG nux



Safety information

Before using the product, please read the safety information thoroughly and use it properly. Alerts declared in the manual are classified to Danger, Warning and Caution by their criticality

⚠ DANGER	DANGER indicates an imminently hazardous situation which, if not avoided, will result in death or serious injury
⚠ WARNING	WARNING indicates a potentially hazardous situation which, if not avoided, could result in death or serious injury
⚠ CAUTION	CAUTION indicates a potentially hazardous situation which, if not avoided, may result in minor or moderate injury

⚠ Danger

- Be sure to turn off power before connecting wires or changing bulb. It can cause shock.

⚠ Warning

- If there is a concern about a serious accident caused by a malfunction or abnormality of this product, please install an external protection circuit and devise a scheme for preventing an accident.
- Please check for the correct voltage before installing it. Over voltage will cause a break down of product
- Please be cautions that contact with chemicals such as thinner or benzene can cause of deformation of the product or color of change.
- If you are concerned about serious accident due to the malfunction of products, please install the external safety equipment.

⚠ Caution

- The contents of this manual may be changed without prior notification.
- If the user use the product with methods other than specified by the manufacturer, there may be bodily injuries or property damages.
- This product is only suitable for indoor use. Please keep it away from damp place.
- Please refer to the "Wiring Diagram" when you wire the product. Incorrect wiring will cause a break down of product.
- Applying a strong shock on the outside of product may cause a break down of product.
- Please be cautions that contact with chemicals such as thinner or benzene can cause of deformation of the product or color of change
- When replacing bulb, please use the same specification bulb as indicated in the manual
- End of unused lead wire must be insulated.
- For the install place, please choose place that has sufficient strength and vibration
- Please use fuse (250 V 1A) for the power line.
- Please make sure that the product should be grounded with the unit desired to be installed.
- When mounting/dismounting the product on a unit, please conduct operations after turning off the power of the main unit.
- If the equipment is used in a manner not specified by the manufacturer, the protection provided by the equipment may be impaired
- The symbol regarding to the safety is attached to the main unit and power lead wires.

Suffix code

Model	Code	Description
HY--	□ □ □ □	HY series sign tower
Function	TN	Continuous light only
	TWN	Continuous light, flashing light
	TBN	Continuous light, buzzer
	TWBN	Continuous light, flashing light, buzzer
	TLN	Continuous light only
	TWLN	Continuous light, flashing light
	TBLN	Continuous light, buzzer
	TWBLN	Continuous light, flashing light, buzzer
Power supply voltage	12	12 V d.c (Incandescent lamp / LED lamp)
	24	24 V d.c (Incandescent lamp / LED lamp)
	110	110 V a.c (Incandescent lamp / LED lamp)
	220	220 V a.c (Incandescent lamp / LED lamp)
Stacking modules	1	1 stack (Red)
	2	2 stack (Red, green)
	3	3 stack (Red, yellow, green)
	4	4 stack (Red, yellow, green, blue)
	5	5 stack (Red, yellow, green, blue, white)
Bracket selection		None (L type bracket standard)
	S	Plastic bracket installation (ST-011)
	M	MP-60 Plastic bracket installation (Bar type)

Characteristic

- Ø55 cylinder type
- Applied the socket type LED lamp
- 1 ~ 5 stacking structure and 5 kinds of colors
- Continuous light only, continuous light, flashing light, Buzzer (selected by the external signal)

Specification

■ HY-TN (Bulb type)

Model	HY-TN □□	HY-TWN □□	HY-TBN □□	HY-TWBN □□
Function	Continuous light only	Continuous light, flashing light	Continuous light, Buzzer	Continuous light, flashing light, Buzzer
Diameter	Ø55			
Number of stacks	1 ~ 5 stack			
Flashing time	-	60 times/1min	-	60 times/1min
Buzzer melody type	-		Single melody, beeping	
Buzzer melody volume	-		80 dB (1 m distance)	
Power supply voltage	12 V d.c, 24 V d.c, 110 V a.c, 220 V a.c 50/60 Hz			
Light source	Incandescent lamp (BA 15S)			
Ambient Temperature	-5 ~ 50 °C			
Ambient Humidity	35 ~ 85% R.H.			
Radiating angle	360°			
Lens material	SAN			
Pipe material	Aluminum			
Lens color	Red, Yellow, Green, Blue, White			
Degree of protection	IPX0 (In door)			
Certification	CE			
IK code	IK06			

■ HY-TLN (LED type)

Model	HY-TLN □□	HY-TWLN □□	HY-TBLN □□	HY-TWBLN □□
Function	Continuous light only	Continuous light, flashing light	Continuous light, Buzzer	Continuous light, flashing light, Buzzer
Diameter	Ø55			
Number of stacks	1 ~ 5 stack			
Flashing time	-	60 times/1min	-	60 times/1min
Buzzer melody type	-		Single melody, beeping	
Buzzer melody volume	-		80 dB (1 m distance)	
Power supply voltage	12 V d.c, 24 V d.c, 110 V a.c, 220 V a.c 50/60 Hz			
Light source	LED (BA 15S)			
Ambient Temperature	-5 ~ 50 °C			
Ambient Humidity	35 ~ 85% R.H.			
Radiating angle	360°			
Lens material	SAN			
Pipe material	Aluminum			
Lens color	Red, Yellow, Green, Blue, White			
Degree of protection	IPX0 (In door)			
Certification	CE			
IK code	IK06			

Lamp specification

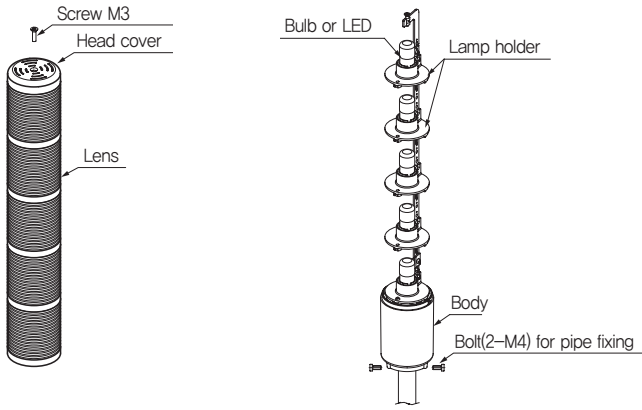
■ Bulb (BA 15S)

Power supply voltage	12 V d.c	24 V d.c	110 V a.c	220 V a.c	
Lamp capacity	5 W				
Light source type	Bulb				
Current consumption	1stack	0.42 A	0.21 A	0.07 A	0.04 A
	2stack	0.84 A	0.42 A	0.14 A	0.08 A
	3stack	1.26 A	0.63 A	0.20 A	0.11 A
	4stack	1.68 A	0.84 A	0.27 A	0.14 A
	5stack	2.10 A	1.05 A	0.33 A	0.17 A

■ LED (BA 15S)

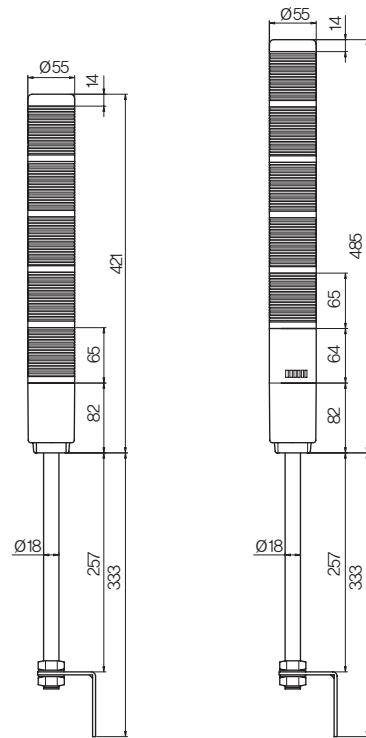
Power supply voltage	12 V d.c	24 V d.c	110 V a.c	220 V a.c	
Lamp capacity	1.2 VA	1.2 VA	2 VA	4 VA	
Light source type	LED				
Current consumption	1stack	96 mA	48 mA	18 mA	18 mA
	2stack	192 mA	96 mA	36 mA	36 mA
	3stack	288 mA	144 mA	54 mA	54 mA
	4stack	384 mA	192 mA	72 mA	72 mA
	5stack	480 mA	240 mA	90 mA	90 mA

Part name and function



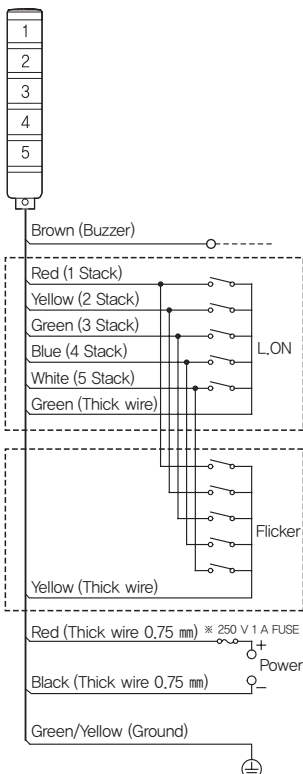
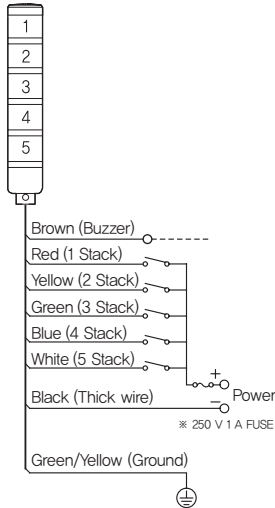
Appearance and Panel cutout

[Unit : mm]

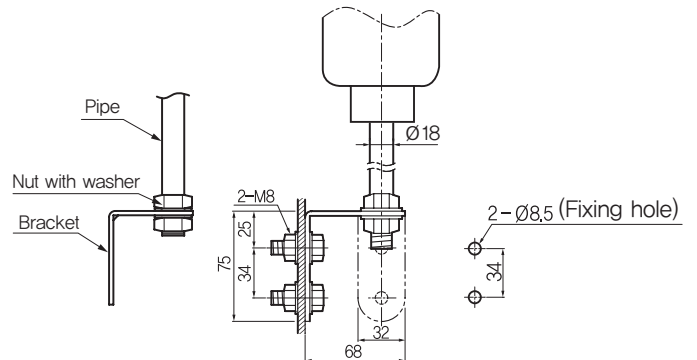


Connection diagram

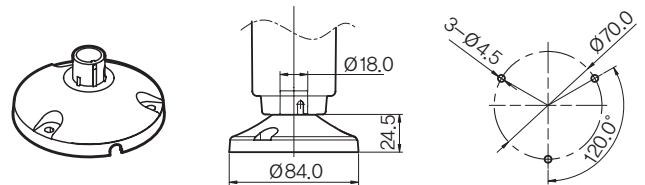
- When controlling more than 2 sign towers at the same time, please use independent contact.
- With the 110 V, 220 V a.c specification of TWN type and TWBN type, please do not connect the yellow and green wire to the power line (red and black)
- When operating the Buzzer, please connect the wire (for buzzer) to the L.ON wire or flashing wire. Able to select as continuous melody and single melody.
- When operating the buzzer and indicator at the same time, please connect the brown wire of buzzer to the signal input wire of indicator which is indicator that users want to operate the buzzer. Single melody when light is flashing and continuous melody when light is continuously ON.
- With the 12 V d.c and 24 V d.c specifications, thick wire is 0.75 mm and black wire is (-).
- Please connect the ground wire (GRN/YEL) to the ground of the main unit. (Only for AC type)



■ L type supporter



■ ST-011 Plastic bracket installation



■ MP-60 Plastic bracket installation (Bar type)

