

Signal Light

**SLB 060****INSTRUCTION MANUAL**

Thank you for purchasing HANYOUNG product.  
Please check whether the product is the exactly same as you ordered. Before using the product, please read this instruction manual carefully.

**HEAD OFFICE**

1381-3, Juan-Dong, Nam-Gu Incheon, Korea  
TEL : +82-32-876-4697 FAX : +82-32-876-4696 <http://www.hynux.net>

**SAFETY INFORMATION**

This product is only suitable for indoor use. Please keep it away from damp place.

**Caution**

- Please use correct voltage. Over voltage will cause a break down of product.
- Please refer to 'Wiring Diagram' when you wire product. Wrong wiring will cause a break down of product.
- Do not pull wire strongly that is outside of product. It will cause a break down of product.
- Big impact on this product will cause a break down of LED units.
- Please do not change parts of product or do not use other product parts. It will cause a break down of product.
- End of unused lead wire must be insulated.
- Contamination by thinner, benzene over lens or top cover will cause a fade in color or transformation in shape.
- Power switch and fuse are not attached to this product. So please install them outside. (Fuse rated : 250 V 0.2 A)

**HOW TO ORDER**

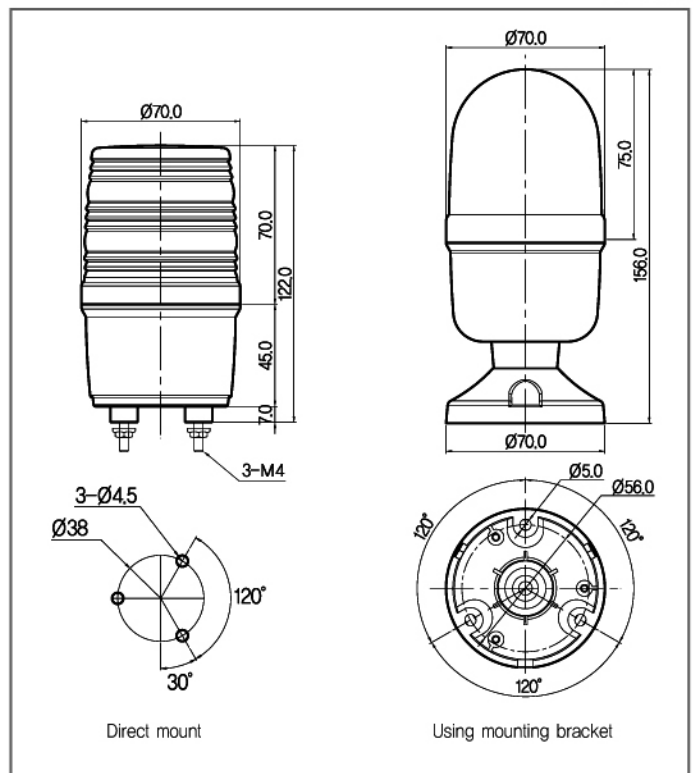
| Model            | Suffix code | Description                      |
|------------------|-------------|----------------------------------|
| SLB              | □ - □ □ □   | Signal Light                     |
| Body             | 060         | Ø70                              |
| Shape & Function | RA          | Round shape lense, Prop mount    |
|                  | XA          | Square shape lense, Prop mount   |
|                  | PA          | Round shape lense, Direct mount  |
|                  | FA          | Square shape lense, Direct mount |
|                  | PF          | Round shape lense, Direct mount  |
|                  | FF          | Square shape lense, Direct mount |
| Rated Voltage    | C51         | 24 V d.c/a.c 50 - 60 Hz          |
|                  | A11         | 110 - 240 a.c 50 - 60 Hz         |
| Color            | R           | Red                              |
|                  | Y           | Yellow                           |
|                  | G           | Green                            |

**SPECIFICATION**

|                      |   |  |
|----------------------|---|--|
| Model                | SLB060-RA□□   | SLB060-XA□□                                |
|                      | SLB060-PA□□   | SLB060-FA□□                                |
|                      | SLB060-PF□□   | SLB060-FF□□                                |
| Shape                | Round Cap (Ø60)   | Square Cap (Ø60)                           |
| Rated Voltage        | 24 V d.c/a.c, 100 - 240 V a.c 50 - 60 Hz                        |  |
| Power consumption    | less than 2.5 W (24 V d.c/a.c), less than 4 W (100 - 240 V a.c) |  |
| Flashing time        | Approx. 60 times/1 minute                                       | -  |
| Light source         | LED   |  |
| Buzzer               | 2Kind buzzer Approx. 80 dB at 1 m                               | -  |
| Drive                | C51   | Relay, NPN & PNP Transistor Open Collector |
|                      | A11   | Relay, NPN Transistor Open Collector       |
| Material             | CAP : Acryl, Body : ABS   |  |
| Color                | Red, Yellow, Green  |  |
| Degree of protection | IP54  |  |

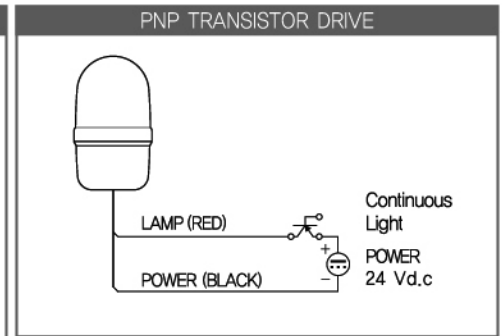
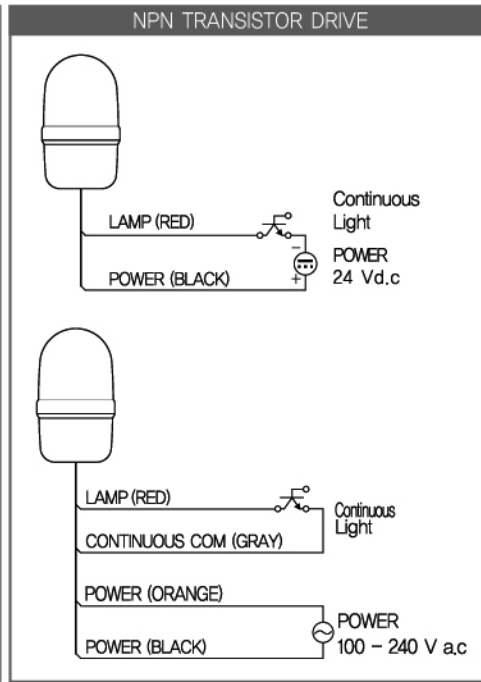
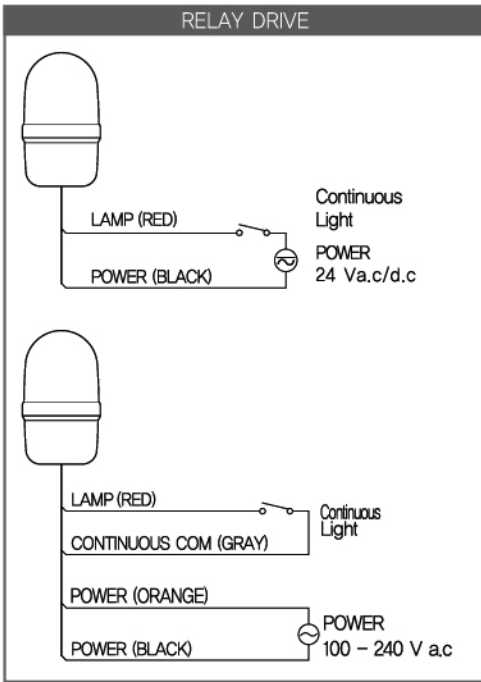
**DIMENSIONS**

Unit : [mm]

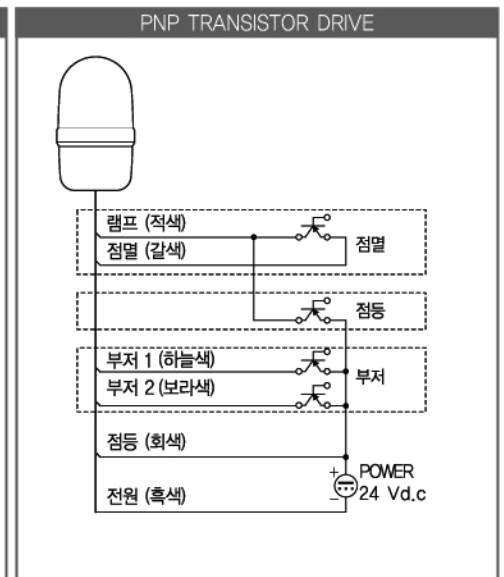
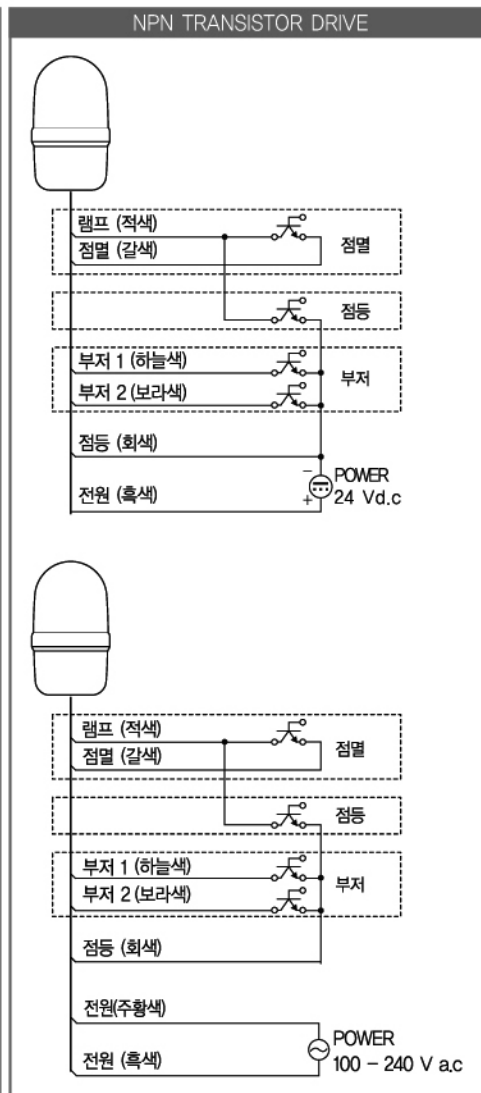
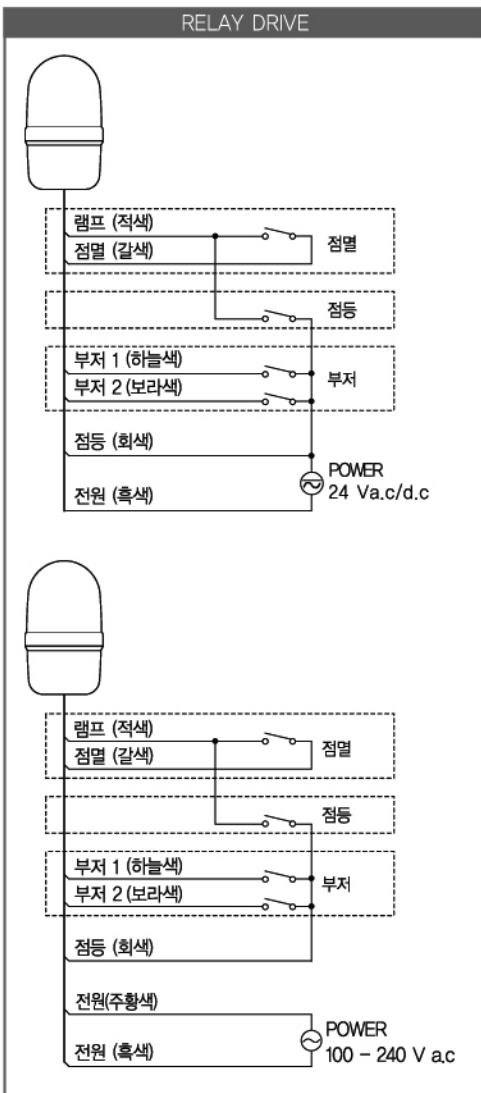


# WIRING DIAGRAM

## ■ Continuous light



## ■ Continuous light, Flashing light, Buzzer



# WIRING AND HOW TO USE

- Before switching on, please make sure all the wire connections are right.
- When you use PNP or NPN Drive and in case of 24 V a.c/d.c, please pay attention to the polarity.