

Inductive type proximity sensor

# UP Long distance sensing

Round type  
 Square type

## INSTRUCTION MANUAL

Thank you for purchasing HANYOUNG product.  
Please check whether the product is the exactly same as you ordered.  
Before using the product, please read this instruction manual carefully.  
Please keep this manual where you can view at any time

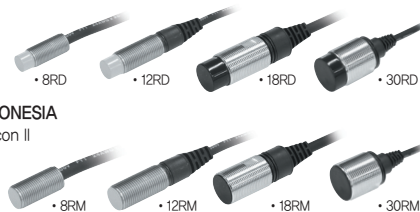
HEAD OFFICE

**HANYOUNGNEX CO.,LTD**  
1381-3, Juan-Dong, Nam-Gu Incheon, Korea.  
TEL: (82-32)876-4697  
FAX: (82-32)876-4696  
http://www.hynux.net

**HANYOUNG NUX**

INDONESIA FACTORY

**PT. HANYOUNG ELECTRONIC INDONESIA**  
Jl. cempaka blok F16, No.02 Delta Silicon II  
Cikarang Bekasi Indonesia  
TEL : 62-21-8911-8120~4  
FAX : 62-21-8911-8126



## Safety information

Before using the product, please read the safety information thoroughly and use it properly.  
Alerts declared in the manual are classified to Danger, Warning and Caution by their criticality

	<b>DANGER</b>	DANGER indicates an imminently hazardous situation which, if not avoided, will result in death or serious injury
	<b>WARNING</b>	WARNING indicates a potentially hazardous situation which, if not avoided, could result in death or serious injury
	<b>CAUTION</b>	CAUTION indicates a potentially hazardous situation which, if not avoided, may result in minor or moderate injury

### WARNING

- If the user use the product with methods other than specified by the manufacturer, there may be bodily injuries or property damages.
- If there is a possibility of an accident caused by errors or malfunctions of this product, install external protection circuit to prevent the accident.

### CAUTION

- Pay attention that it is possible to damage a proximity sensor by a short circuit when wiring load.
- Wiring to an applicable device shall be certainly connected by using compressing terminals or soldering.
- Do not use PNP type or NPN type indiscriminately.
- Please wire after ensuring whether input conditions are accepted to an applicable device.
- When there is a power or high voltage line close to the cord of the proximity sensor, wire the cord with shielding such as an independent metal conduit to prevent against proximity sensor's damage or malfunction.
- Although the proximity sensor has a surge absorption circuit, if there is any machine that has a large surging one (e.g., a motor, welding machine, etc) near the proximity sensor, connect a varistor, surge absorber, noise filter to a surge generating area.
- Effect of Consumption Current : When AC type of proximity sensor is OFF, the proximity sensor has little consumption current for an operation of the circuit. Because of this fact, the little voltage left in the load may be a cause of load reset defective, so please make sure this voltage is less than the load reset voltage before using.
- In case of a load current is small : When a loaded current of AC type of proximity sensor is less than 5 mA, wire a bleeder resistor with the load in parallel so that make the residual voltage of the proximity sensor be less than the loaded reset voltage.
- Make the ripple content of the rated voltage which supplied into DC (NPN, PNP) type of proximity sensor be less than the maximum  $\pm 10\%$  of the ripple content.
- In case of using a condenser as a load, wire a current-limiting resistor in series so that set the peak current shall be within the loaded current of the proximity sensor.
- In case of an inductive load (e.g., a motor, relay, magnet, etc), connect the load with surge absorbing diode in parallel.
- Pay attention at a position of attachment, divergence, slack and distortion of a sensing surface or proximity sensor.
- In the place of possibly occurring metal particles, make sure whether a sensing distance is properly working since it can be affected if metal particles stick to the sensing surface.
- Pay attention on using or storing the proximity sensor outdoors.
- Do not use the proximity sensor in an environment with chemical, solvent or corrosive.
- Please avoid as much as possible to put the proximity sensor in hot water or to use them in a place where generates high pressure steam.
- The contents of this manual may be changed without prior notification.
- The maximum cable extension length shall be within 200 m.

## Suffix code

Model	Code	Description
UP	□ □ □ □ □ □	Inductive type proximity sensor
Sensing area size	12	M12
	18	M18
	30	M30
Structure type	RM	Round type shield
	RD	Round type None shield
Sensing distance	*	Sensing distance(mm)
Power supply and output	N	NPN type ※ Green body, (NO,NC)
	P	PNP type ※ Purple body, (NO,NC)
	T	D.C 2 wire type(Polarity), (NO : Green, NC : Purple)
	U	D.C 2 wire type(No polarity), (NO : Green, NC : Purple)
Output type	A	Normal open (NO)
	C	Normal close (NC)
Connection structure	*	No indication (Cable type)
	CR	Relay connector type
	C	Connector type

## Specification

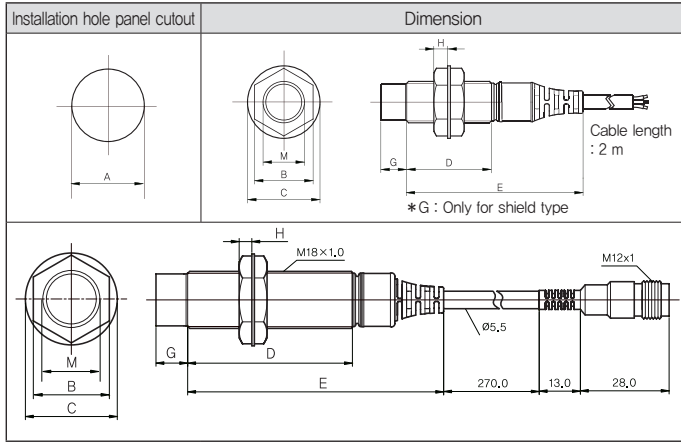
### ■ D.C NPN / PNP type

Model	UP 12RM-4 □ □ □ □ UP 12RD-8 □ □ □ □	UP 18RM-7 □ □ □ □ UP 18RD-14 □ □ □ □	UP 30RM-15 □ □ □ □ UP 30RD-25 □ □ □ □
Sensing distance	4 mm, 8 mm	7 mm, 14 mm	15 mm, 25 mm
Setting distance	0-3.2 mm, 0-6.4 mm	0-5.6 mm, 0-11.2 mm	0-12 mm, 0-20 mm
Response frequency	500, 500 Hz	300, 300 Hz	100, 100 Hz
Standard sensing object (mm)	Iron 12×12×1 Iron 25×25×1	Iron 20×20×1 Iron 40×40×1	Iron 45×45×1 Iron 75×75×1
Hysteresis	Less than 15 % of sensing distance		
Power supply voltage	12 V - 24 V d.c (5 - 35 V d.c)		
Control output	Resistive load : 200 mA max		
Residual voltage	1.5 V max		
Current consumption	6 mA max		
Operation indication	Red LED		
Protection circuit	Power reversely connected protective circuit, surge protective circuit and over current protective circuit are built in.		
Ambient temperature	-25 ~ 70 °C (Less than $\pm 15\%$ of sensing distance at temperature 20 °C)		
Ambient humidity	35 ~ 85 % R.H.		
Degree of protection	IP67 (IEC standard)		
Vibration resistance	10 - 55 Hz (cycle 1 min, double amplitude : 1.5 mm 2 hours for each of X, Y and Z directions)		
Dielectric strength	For 1 min at 1500 V a.c 50/60 Hz (between the recharging part and case)		
Shock resistance	500 % 3 times to each, X, Y and Z directions		
Insulation resistance	50 M $\Omega$ min (500 V d.c mega standard)		
Material	CASE : Brass (Chrome plating), Sensing surface : PBT		

### ■ D.C 2wire type

Model	UP 12RM-4 □ □ □ □ UP 12RD-8 □ □ □ □	UP 18RM-7 □ □ □ □ UP 18RD-14 □ □ □ □	UP 30RM-15 □ □ □ □ UP 30RD-25 □ □ □ □
Sensing distance	4 mm, 8 mm	7 mm, 14 mm	15 mm, 25 mm
Setting distance	0-3.2 mm, 0-6.4 mm	0-5.6 mm, 0-11.2 mm	0-12 mm, 0-20 mm
Response frequency	500, 500 Hz	300, 300 Hz	100, 100 Hz
Standard sensing object (mm)	Iron 12×12×1 Iron 25×25×1	Iron 20×20×1 Iron 40×40×1	Iron 45×45×1 Iron 75×75×1
Hysteresis	Less than 15 % of sensing distance		
Power supply voltage	12 V - 24 V d.c (10 - 30 V d.c)		
Control output	Resistive load : 100 mA max		
Residual voltage	T(Polarity) : max 3.5 V, U(No polarity) : 5 V max		
Current consumption	1 mA max		
Operation indication	Red LED		
Protection circuit	surge protective circuit and over current protective circuit are built in.		
Ambient temperature	-25 ~ 70 °C (Less than $\pm 15\%$ of sensing distance at temperature 20 °C)		
Ambient humidity	35 ~ 85 % R.H.		
Degree of protection	IP67 (IEC standard)		
Vibration resistance	10 - 55 Hz (cycle 1 min, double amplitude : 1.5 mm 2 hours for each of X, Y and Z directions)		
Dielectric strength	For 1 min at 1500 V a.c 50/60 Hz (between the recharging part and case)		
Shock resistance	500 % 3 times to each, X, Y and Z directions		
Insulation resistance	50 M $\Omega$ min (500 V d.c mega standard)		
Material	12R, 18R, 30R CASE : Brass (Chrome Plating), Sensing surface : PBT		

## Dimension



### ■ D.C NPN/PNP/2wire Type

[Unit : mm]

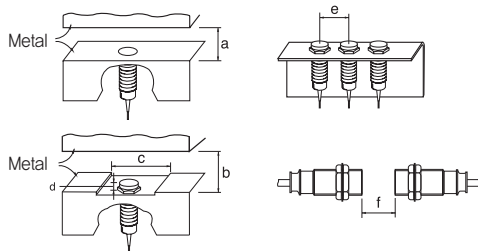
Model	M	A	B	C	D	E	G	H
UP 12RM-4 □ □	12	13	17	21	32	59	—	4
UP 12RD-8 □ □	12	13	17	21	24,5	51,5	7,5	4
UP 18RM-7 □ □	18	19	24	29	29	57,8	—	4
UP 18RD-14 □ □	18	19	24	29	19	47,8	10	4
UP 30RM-15 □ □	30	31	35	43	38	66,8	—	5
UP 30RD-25 □ □	30	31	35	43	28	56,8	10	5

## Connection diagram

Type	Connection method	Output state															
D.C open / close		<table border="1"> <thead> <tr> <th></th> <th>NO</th> <th>NC</th> </tr> </thead> <tbody> <tr> <td>Sensing object</td> <td>Yes </td> <td>No </td> </tr> <tr> <td>LOAD [Brown - Black]</td> <td>Run </td> <td>Return </td> </tr> <tr> <td>Output voltage</td> <td>H </td> <td>L </td> </tr> <tr> <td>Operation indicator</td> <td>ON </td> <td>OFF </td> </tr> </tbody> </table>		NO	NC	Sensing object	Yes	No	LOAD [Brown - Black]	Run	Return	Output voltage	H	L	Operation indicator	ON	OFF
			NO	NC													
		Sensing object	Yes	No													
LOAD [Brown - Black]	Run	Return															
Output voltage	H	L															
Operation indicator	ON	OFF															
<table border="1"> <thead> <tr> <th></th> <th>NO</th> <th>NC</th> </tr> </thead> <tbody> <tr> <td>Sensing object</td> <td>Yes </td> <td>No </td> </tr> <tr> <td>LOAD [Brown - Black]</td> <td>Run </td> <td>Return </td> </tr> <tr> <td>Output voltage</td> <td>H </td> <td>L </td> </tr> <tr> <td>Operation indicator</td> <td>ON </td> <td>OFF </td> </tr> </tbody> </table>		NO	NC	Sensing object	Yes	No	LOAD [Brown - Black]	Run	Return	Output voltage	H	L	Operation indicator	ON	OFF		
	NO	NC															
Sensing object	Yes	No															
LOAD [Brown - Black]	Run	Return															
Output voltage	H	L															
Operation indicator	ON	OFF															
<table border="1"> <thead> <tr> <th></th> <th>NO</th> <th>NC</th> </tr> </thead> <tbody> <tr> <td>Sensing object</td> <td>Yes </td> <td>No </td> </tr> <tr> <td>LOAD [Brown - Black]</td> <td>Run </td> <td>Return </td> </tr> <tr> <td>Operation indicator</td> <td>ON </td> <td>OFF </td> </tr> </tbody> </table>		NO	NC	Sensing object	Yes	No	LOAD [Brown - Black]	Run	Return	Operation indicator	ON	OFF					
	NO	NC															
Sensing object	Yes	No															
LOAD [Brown - Black]	Run	Return															
Operation indicator	ON	OFF															

## Mutual interference and effects of surrounding metals

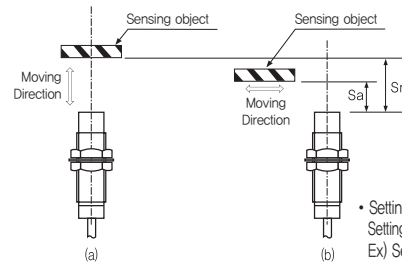
- When installing more than 1 proximity sensors in parallel direction or facing each other, it can cause the malfunction. When there are metals around the proximity sensor, it can cause malfunctions such as abnormal return due to the existence of metals around the proximity sensor. In order to avoid the malfunction which caused by surrounding metals, please install it with sufficient gap from each other. (Wider than the values written in below chart)



[Unit : mm]

Model List	UP12RM-4	UP12RD-8	UP18RM-7	UP18RD-14	UP30RM-15	UP30RD-25
a	12	—	21	—	30	—
b	—	24	—	42	—	75
c	12	36	18	54	30	90
d	0	11	0	14	0	15
e	24	36	36	54	60	90
f	24	48	42	84	90	150

## How to set distance



Sn : Sensing distance  
Sa : Setting distance  
(80 % of Sn)

- Setting distance(Sa) Computing Equation :  
Setting distance (Sa) = Sensing distance (Sn) × 80 %  
Ex) Setting distance(Sa) = 10 mm × 0,8 = 8 mm

- When a proximity sensor is operating as a sensing object is approaching, a distance between the sensing surface and the sensing object is the operating distance of the proximity sensor.
- After measuring a maximum value of a perpendicular direction of a sensing object, install it within 80 %.
- When testing a sensing distance of a proximity sensor, a standard sensing object was used so a sensing distance can be varied by its shape, form or material. Please, consider these facts.